

LA-150/200 SERIES

TAKISAWA[®]
TAIWAN

LA-150[L]
LA-200[L]
LA-150M[L]
LA-200M[L]

CNC
LATHE



More



www.takisawa.com.tw

Taiwan TAKISAWA Technology Co., Ltd.

No.505, Sec. 3, Yenping Rd., Pingchen Dist.,
Taoyuan City 324, Taiwan.

TEL : +886-3-4643166 FAX : +886-3-4642614

No.89, Sec. 1, Meishi Rd., Yangmei Dist.,
Taoyuan City 326, Taiwan.

TEL : +886-3-4813119 FAX : +886-3-4813185

E-mail : callcenter@takisawa.com.tw

Shanghai TAKISAWA Mechatronics Ltd.

No.1568, Yuanguo Road, Anting Town, Jiading
District, Shanghai

TEL : +86-21-59562955 FAX : +86-21-59562956

TAKISAWA[®]
TAIWAN

Distributor

**BUILT TO JAPANESE QUALITY
STANDARDS BY TAIWAN TAKISAWA.**



LA-150/200 series
P.3



Turret | Spindle
specifications
P.5



Spindle output diagram
P.6



Working ranges
Interference diagrams
Machine dimensions
P.7



Specifications
P.11



Tooling system
P.12



Standard and optional accessories
P.13

TAKISAWA®
TAIWAN



LA-200 SERIES

LA200[L] Turning
LA-200M[L] Turning and Milling

LA-150 SERIES

LA150[L] Turning
LA-150M[L] Turning and Milling



LA-150 | LA-200 Series

LA

150/200 SERIES

High Performance Model Range

- Modulized structure with optional C axis.
- Box way design for all machining axes.
- Takisawa in-house turret and spindle featuring high rigidity and accuracy with easy maintenance.
- Minimum footprint, maximum working space.
- High productivity to investment cost ratio.



LA-150 [L] Specifications

Max. swing	470 mm
Max. turning length	328.9 [628.9] mm
Max. turning diameter	250(T8),320(T12) mm
Max. bar work capacity	42 mm
Spindle speed	5000 rpm
Chuck size	6"

LA-200 [L] Specifications

Max. swing	470 mm
Max. turning length	300 [600] mm
Max. turning diameter	250(T8),320(T12) mm
Max. bar work capacity	52 mm
Spindle speed	4000 rpm
Chuck size	8"



Travel & Feedrate

LA-150 [L] LA-200 [L]	
LA-150M [L] LA-200M [L]	
X axis travel	140(T8),175(T12) mm
X axis rapid traverse rate	24 m/min
Z axis travel	375 [675] mm
Z axis rapid traverse rate	24 m/min

LA-150M [L] Specifications

Max. swing	470 mm
Max. turning length	313 [613] mm
Max. turning diameter	250 mm
Max. bar work capacity	42 mm
Spindle speed	5000 rpm
Chuck size	6"

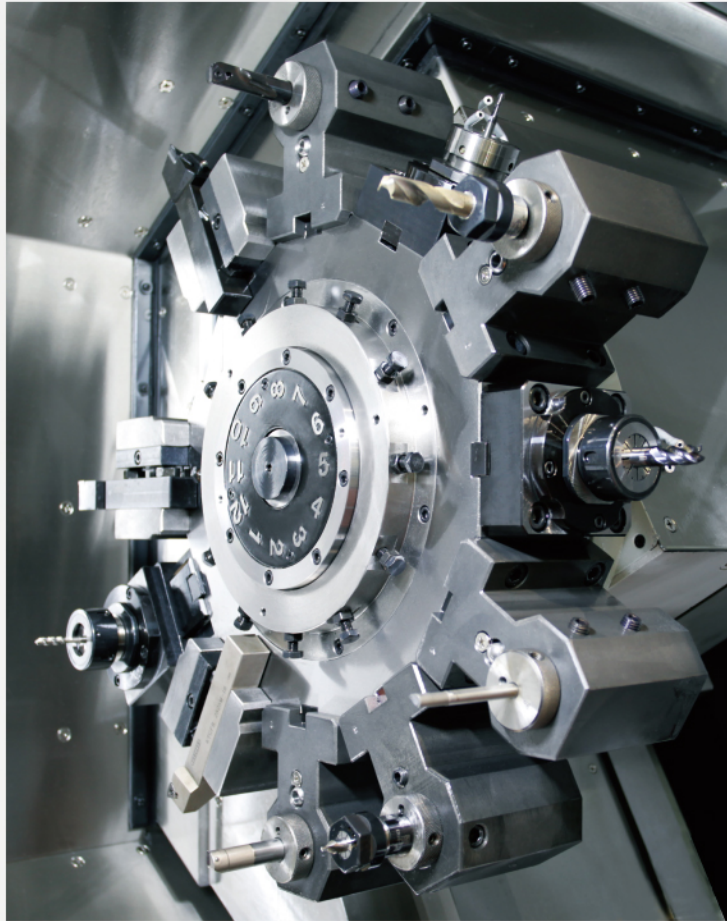
LA-200M [L] Specifications

Max. swing	470 mm
Max. turning length	284 [584] mm
Max. turning diameter	250 mm
Max. bar work capacity	52 mm
Spindle speed	4000 rpm
Chuck size	8"

※ Specifications are subject to change without notice.



Turret | Spindle specifications

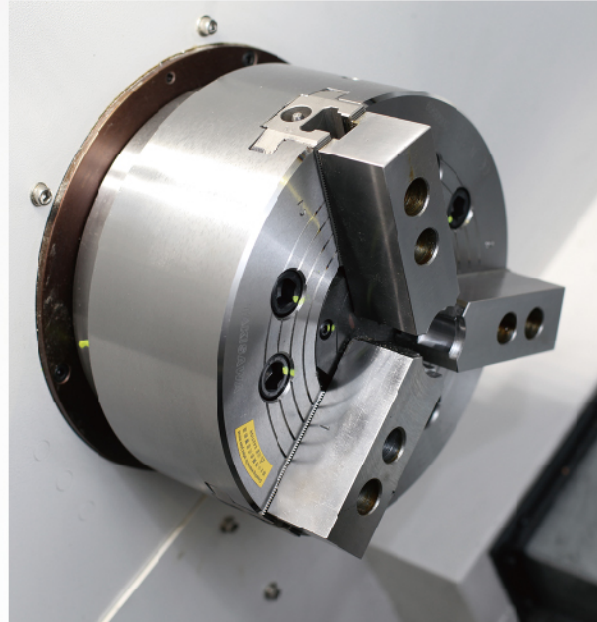
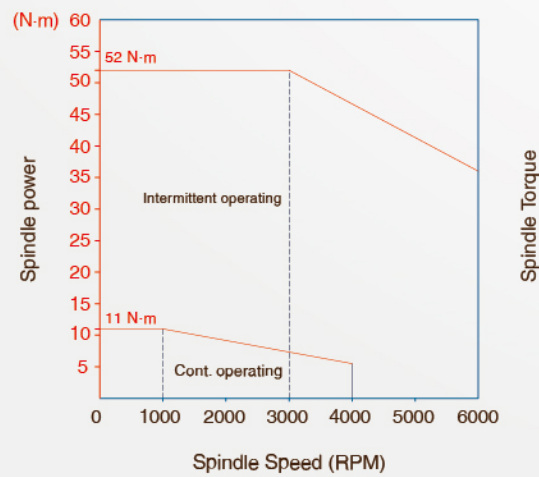


The turret is designed for extreme rigidity through its wide and heavy build, inclusion of heavy duty oversized couplings and enhanced clamping pressure.



Power chart of milling tool

LA-150M[L], LA-200M[L] | β ilc 12/6000



The spindle incorporates double rows of cylindrical bearings to improve the quality and accuracy of machining.



The LA series with C-axis positioning allows driven tool milling avoiding artifacts generated by compounding movement errors, giving higher accuracy with shorter process times and less effort.

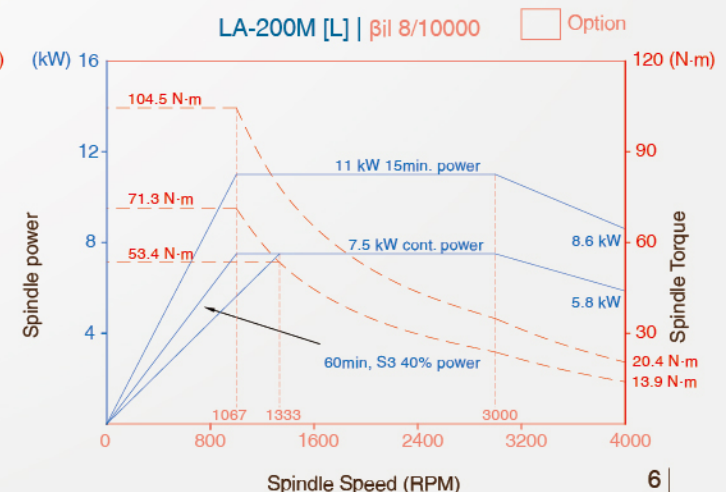
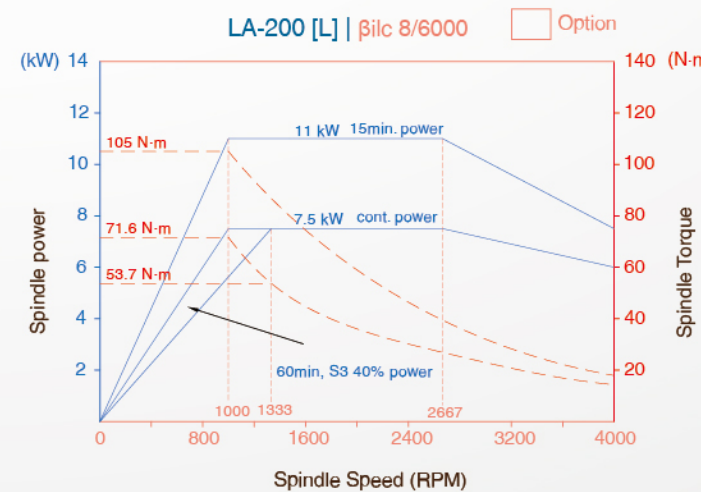
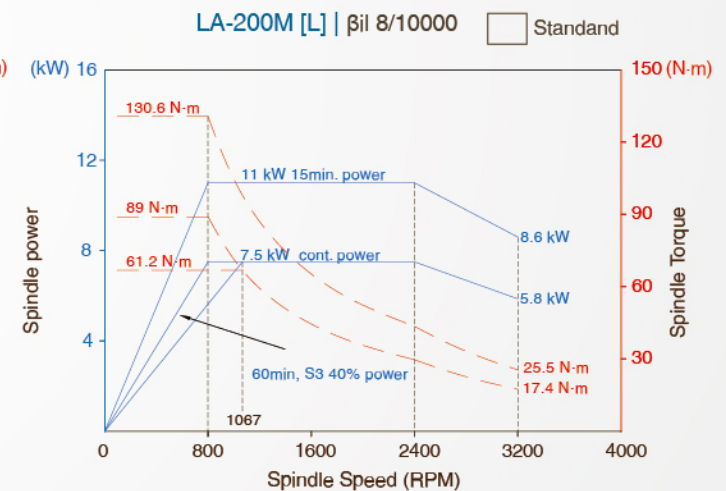
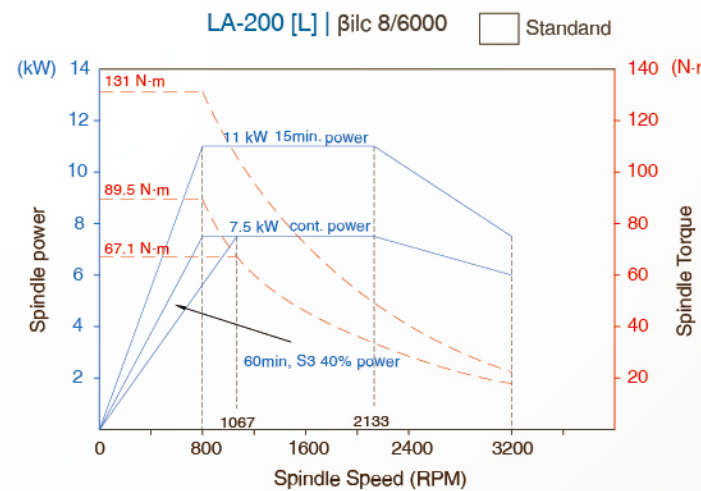
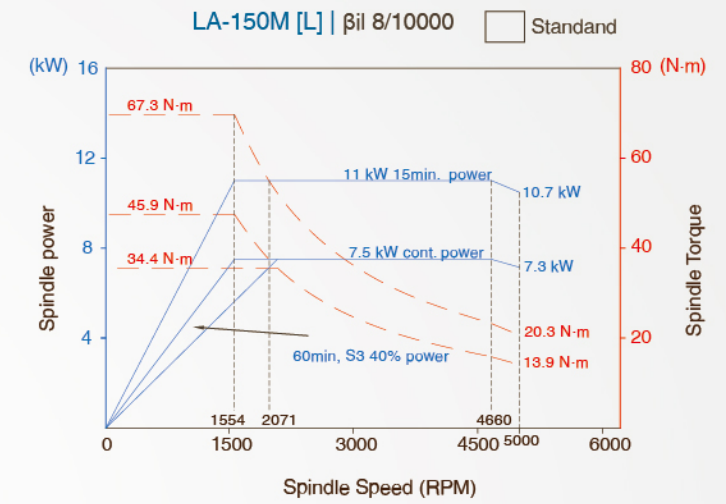
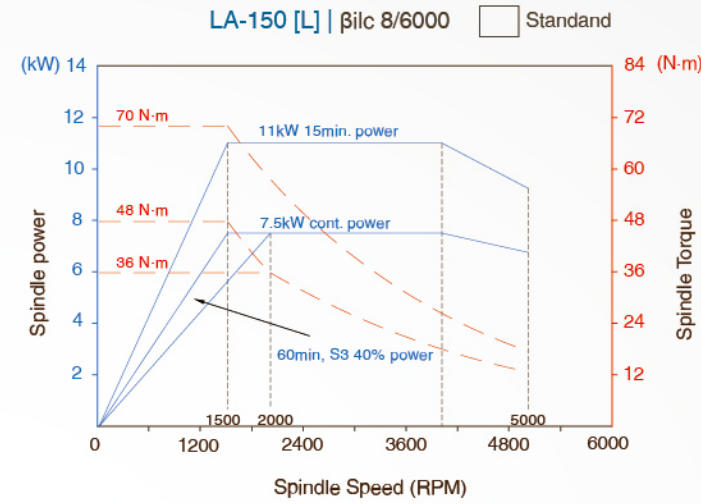


Spindle output diagram

LA

150/200 SERIES

Powered by FANUC MOTOR for high stability & high accuracy.



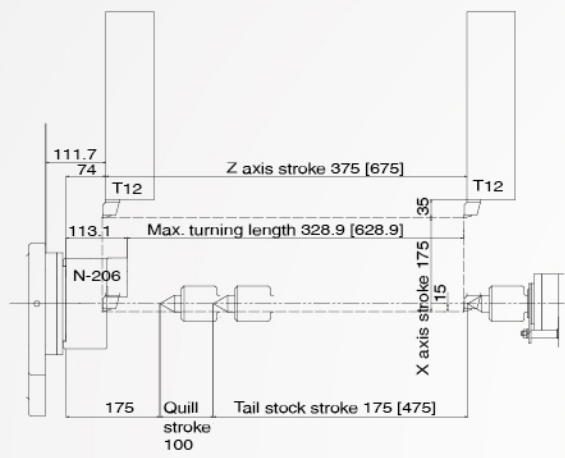


Working range | Interference diagram

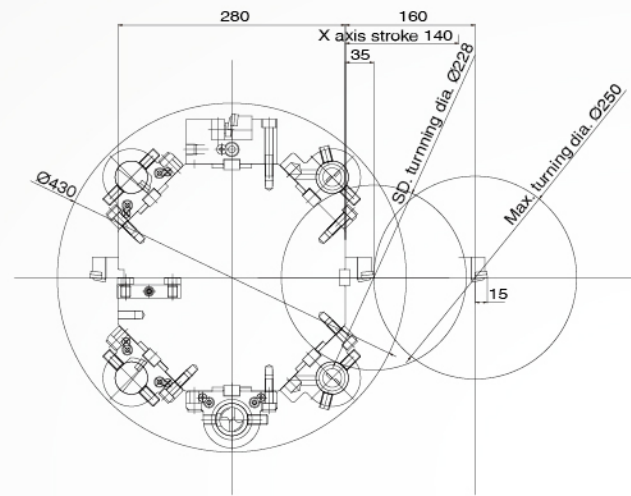
LA

150/200 SERIES

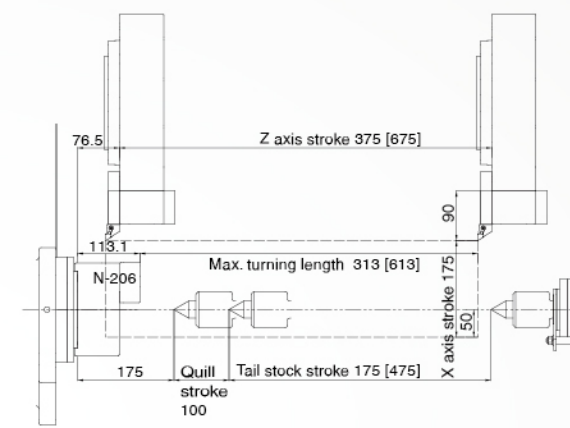
LA-150 [L] Working Range



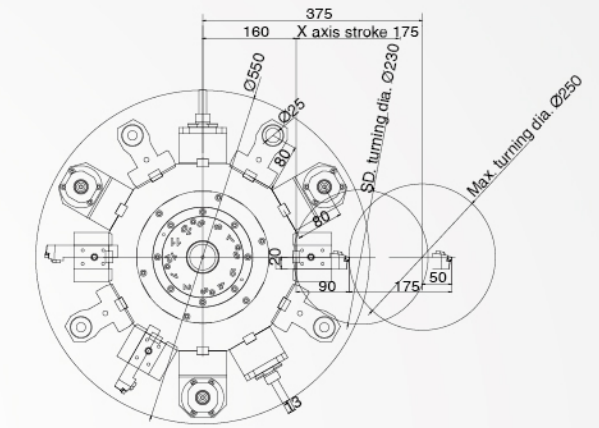
LA-150 [L] | LA-200[L] Interference Diagram (T8)



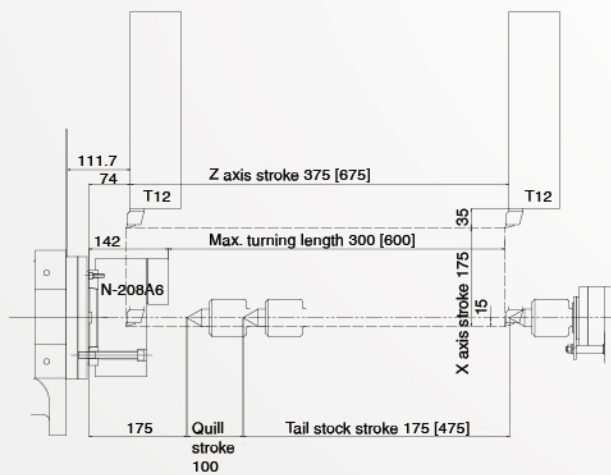
LA-150M [L] Working Range



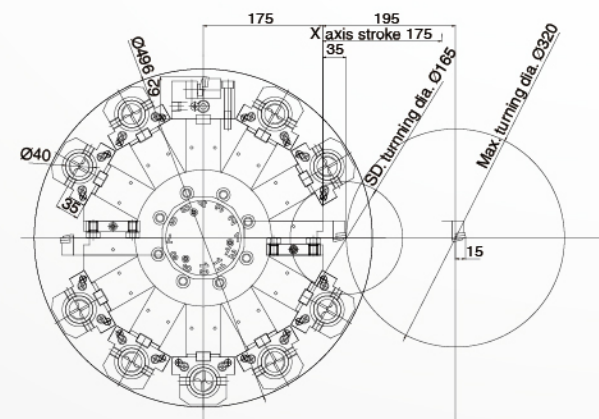
LA-150M [L] Interference Diagram



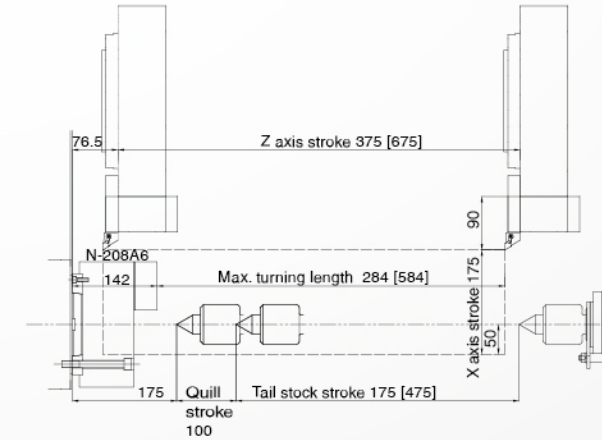
LA-200 [L] Working Range



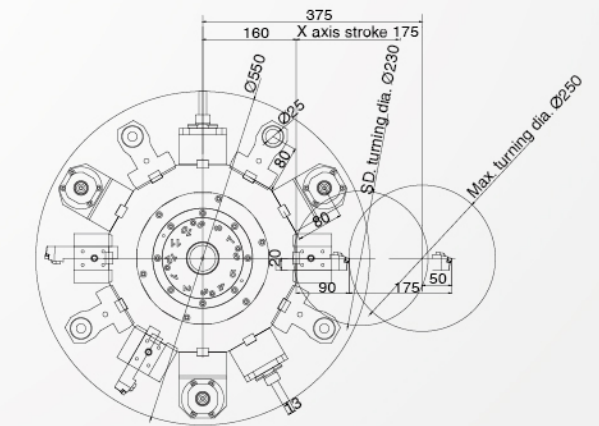
LA-150 [L] | LA-200[L] Interference Diagram (T12)



LA-200M [L] Working Range



LA-200M [L] Interference Diagram



LA-150 [L] | LA-200 [L]

LA-150M [L] | LA-200M [L]



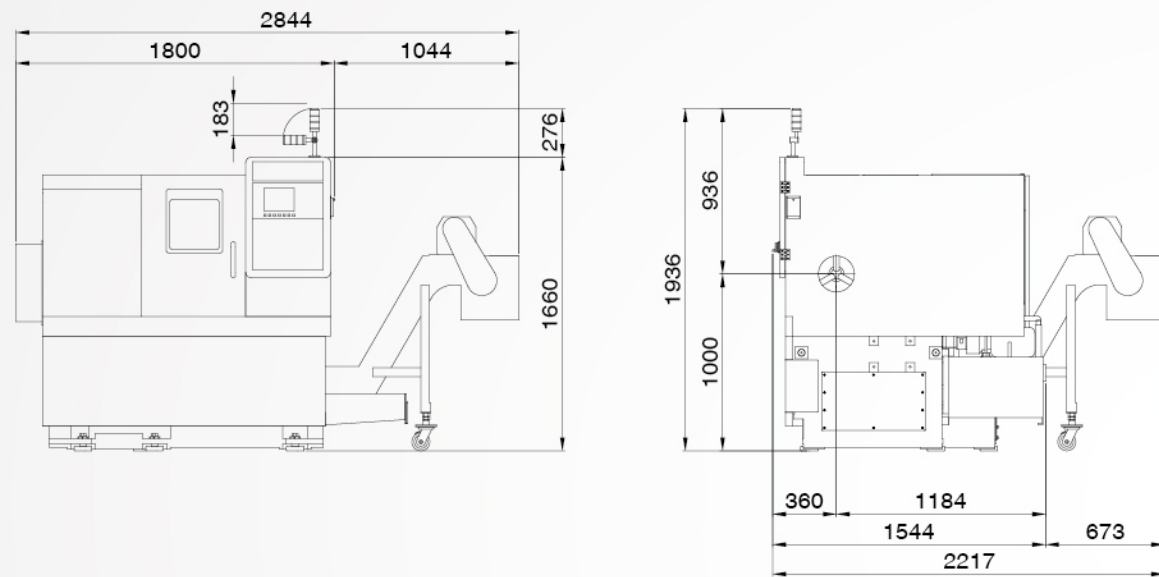
Machine dimensions

LA

150/200 SERIES

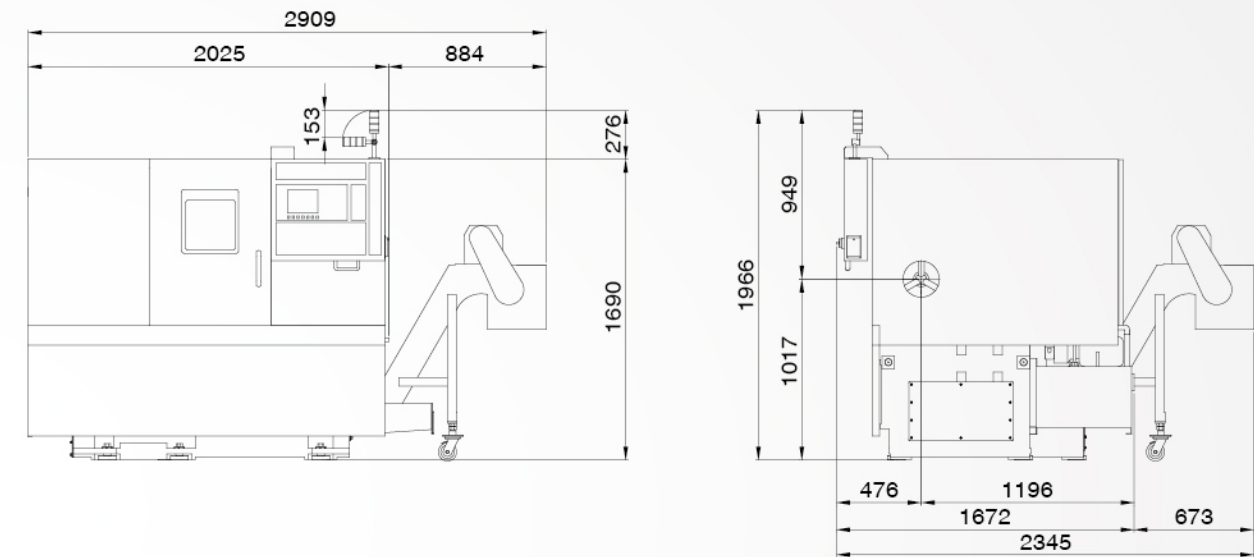
LA-150 | LA-200

Unit : mm



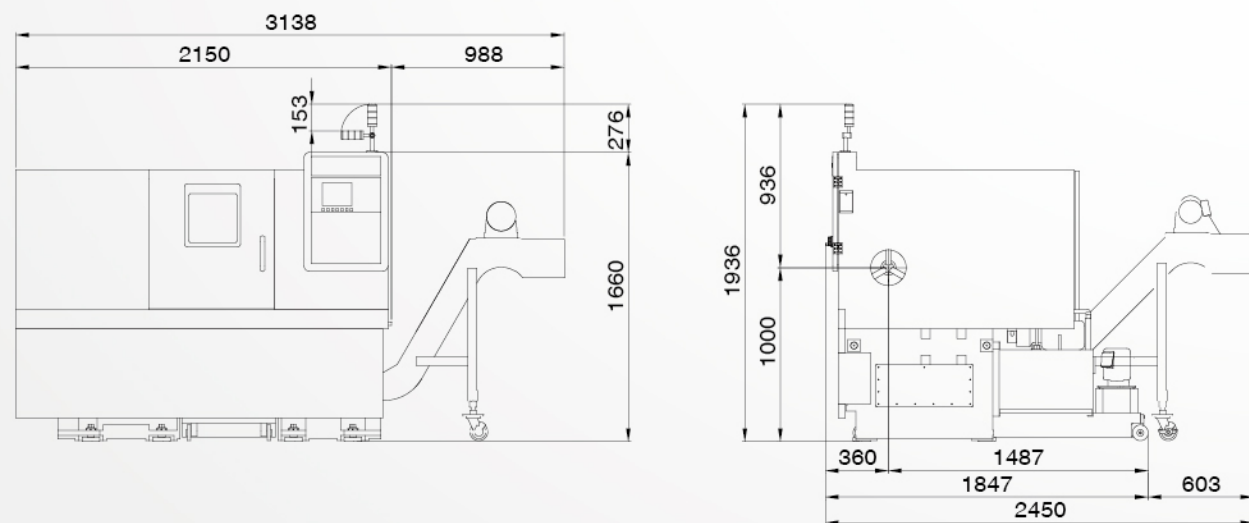
LA-150M | LA-200M

Unit : mm



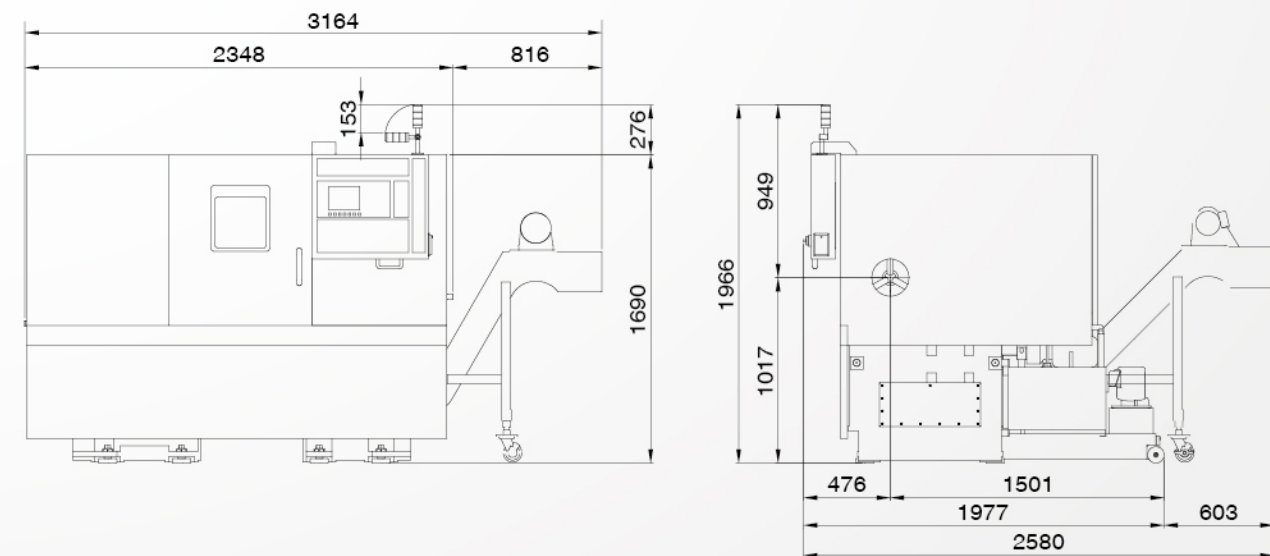
LA-150L | LA-200L

Unit : mm



LA-150ML | LA-200ML

Unit : mm



LA-150 [L] | LA-200 [L]

LA-150M [L] | LA-200M [L]

Specifications

Remark1 : () Option
 Remark2 : M : Milling L : Long Z axis travel
 Remark3 : LA-150 Series Max. turning length is calculated to Strong N-206, LA-200 Series Max. turning length with Strong N-208 calculations.

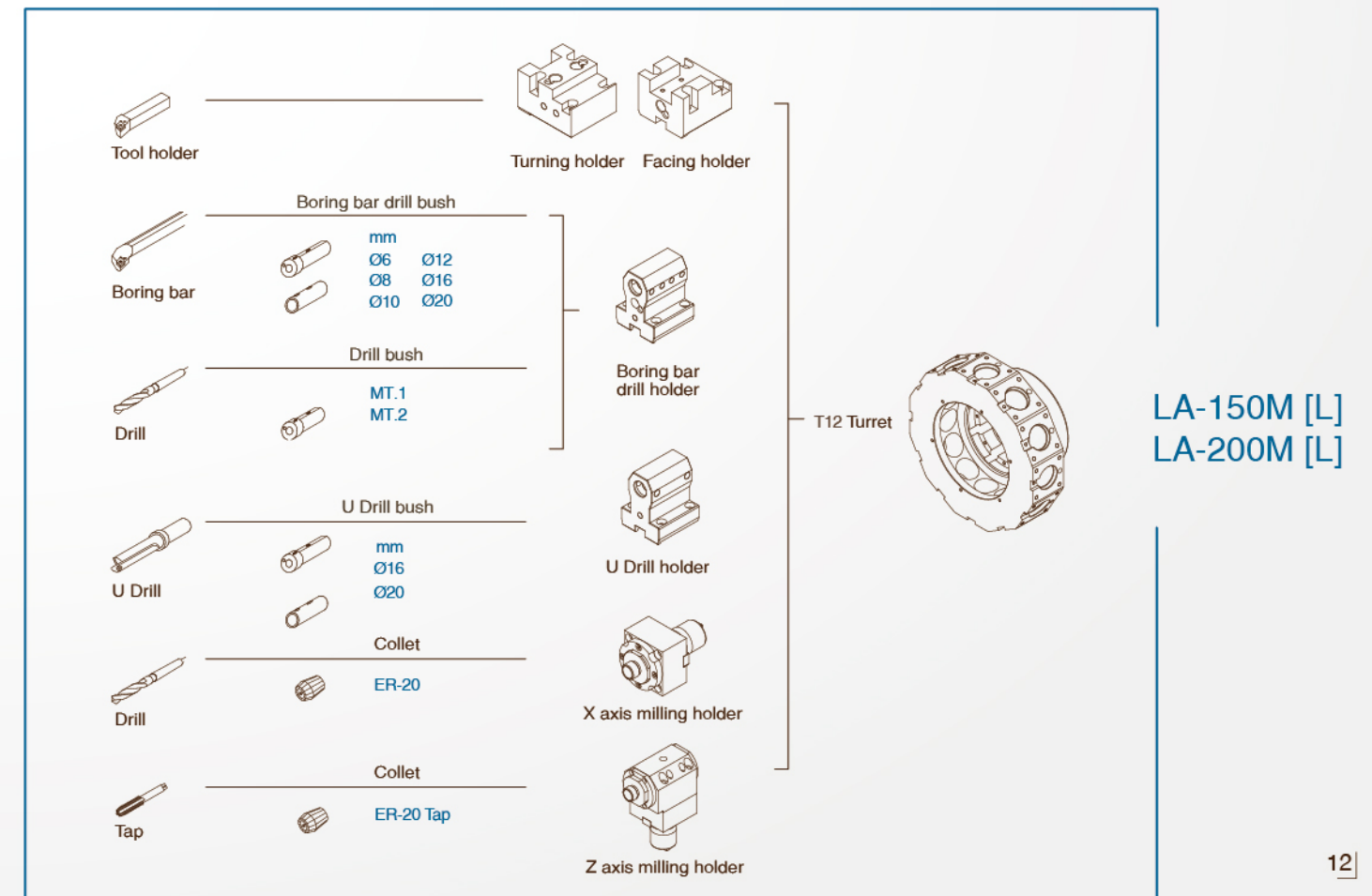
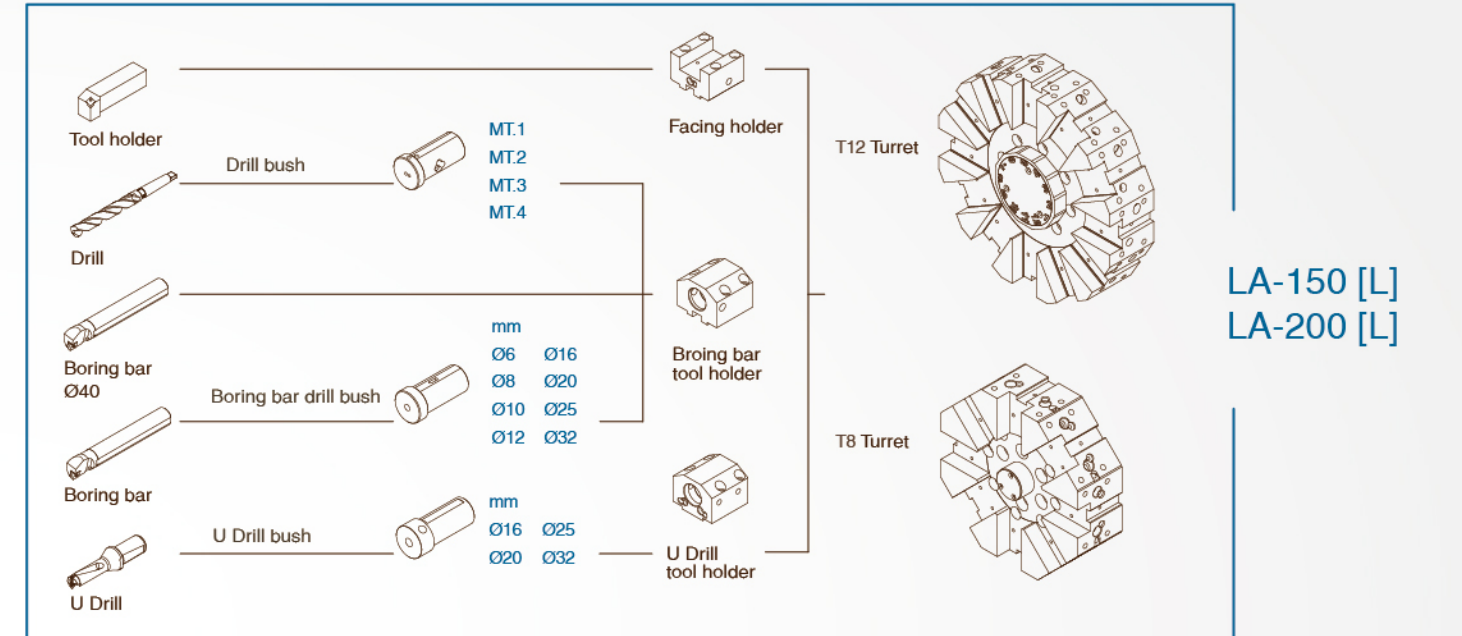
Item	Unit	LA-150	LA-150L	LA-150M	LA-150ML	LA-200	LA-200L	LA-200M	LA-200ML
Capacity									
Max. swing	mm	470		470		470		470	
Std. turning dia.	mm	228(T8) 165(T12)		230		228(T8) 165(T12)		230	
Max. turning dia.	mm	250(T8) 320(T12)		250		250(T8) 320(T12)		250	
Max. turning length	mm	328.9	628.9	313	613	300	600	284	584
Max. bar work capacity	mm	42		42		52		52	
Travel									
X axis travel	mm	140(T8) 175(T12)		175		140(T8) 175(T12)		175	
Z axis travel	mm	375	675	375	675	375	675	375	675
Y axis travel	mm	---		---		---		---	
Spindle									
Spindle speed	rpm	5000		5000		3200(4000)		3200(4000)	
Chuck size		6"		6"		8"		8"	
Spindle nose		FLAT140		FLAT140		A2-6		A2-6	
Through hole dia.	mm	53		53		63		63	
Bearing diameter	mm	80		80		100		100	
Turret									
Number of tools		T8(T12)		T12		T8(T12)		T12	
Turning tool shank	mm	25		20		25		20	
Boring bar shank dia.	mm	40		25		40		25	
Milling tool shank dia.	mm	---		13		---		13	
Tailstock									
Tailstock travel	mm	175	475	175	475	175	475	175	475
Tailstock spindle dia.	mm	75		75		75		75	
Taper hole of tailstock spindle		MT.4		MT.4		MT.4		MT.4	
Tailstock spindle travel	mm	100		100		100		100	
Feedrate									
X axis rapid traverse rate	m/min	24		24		24		24	
Z axis rapid traverse rate	m/min	24		24		24		24	
Y axis rapid traverse rate	m/min	---		---		---		---	
Motor									
Spindle drive motor	kW	7.5/11		7.5/11		7.5/11		7.5/11	
Milling motor	kW	---		2.2		---		2.2	
Turret index motor	kW	1.2		1.2		1.2		1.2	
X axis drive motor	kW	1.2		1.2		1.2		1.2	
Z axis drive motor	kW	1.4		1.4		1.4		1.4	
Y axis drive motor	kW	---		---		---		---	
Size									
Height	mm	1936		1966		1936		1966	
Width	mm	1800	2150	2025	2348	1800	2150	2025	2348
Depth	mm	1544	1847	1672	1977	1544	1847	1672	1977
Weight	kg	3150	3750	3250	3900	3200	3800	3300	3950

※ Specifications are subject to change without notice.

Tooling system

LA

150/200 SERIES





Standard and optional accessories

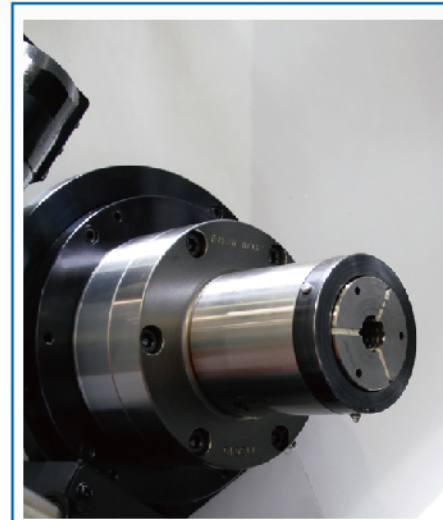
☆ : Standard accessories --- : N/A ◎ : Optional accessories

Item	LA-150[L]	LA-200[L]	LA-150M[L]	LA-200M[L]
Accessories				
Variable speed spindle	☆	☆	☆	☆
Hi-low Gearbox Spindle	---	---	---	---
Built-in spindle	---	---	---	---
Hydraulic servo turret	☆	☆	☆	☆
Hydraulic tailstock	☆	☆	☆	☆
Manual tailstock base	☆	☆	☆	☆
Manual PIN tailstock base	---	---	---	---
Automatic PIN tailstock base	◎	◎	◎	◎
Boring bar tool holder (4PCS)	☆	☆	☆	☆
U-drill tool holder (1PCS)	☆	☆	☆	☆
Angle type tool holder (1PCS)	☆	☆	☆	☆
OD tool holder(1PCS)	---	---	☆	☆
Boring bar bush ø6	☆	☆	☆	☆
Boring bar bush ø8	☆	☆	☆	☆
Boring bar bush ø10	☆	☆	☆	☆
Boring bar bush ø12	☆	☆	☆	☆
Boring bar bush ø16	☆	☆	☆	☆
Boring bar bush ø20	☆	☆	☆	☆
Boring bar bush ø25	☆	☆	---	---
Boring bar bush ø32	☆	☆	---	---
Boring bar bush ø40	---	---	---	---
U-drill bush ø16	☆	☆	☆	☆
U-drill bush ø20	☆	☆	☆	☆
U-drill bush ø25	☆	☆	---	---
U-drill bush ø32	☆	☆	---	---
U-drill bush ø40	---	---	---	---
Drill bush MT.1	◎	◎	◎	◎
Drill bush MT.2	◎	◎	◎	◎
Drill bush MT.3	◎	◎	---	---
Drill bush MT.4	◎	◎	---	---
X axis live tool holder (1PCS)	---	---	☆	☆
Z axis live tool holder (1PCS)	---	---	☆	☆
Hanger (2PCS)	◎	◎	◎	◎
Leveling pad	☆	☆	☆	☆
Wedge	☆	☆	☆	☆
Working lamp	☆	☆	☆	☆
Tool box	☆	☆	☆	☆
Operation manual	☆	☆	☆	☆
Hydraulic chuck	☆	☆	☆	☆
Foot switch	☆	☆	☆	☆

※ Specifications are subject to change without notice.

LA

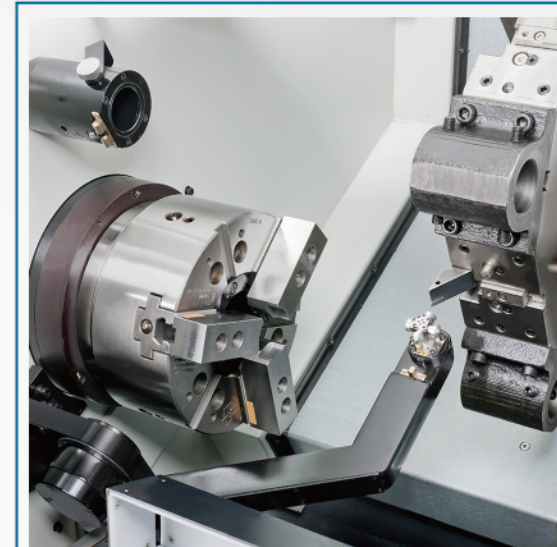
150/200 SERIES



Collet chuck



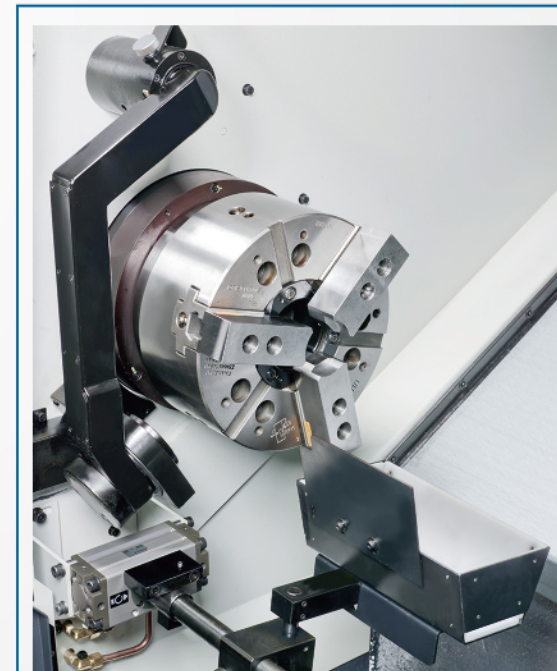
Chip conveyor



Tool setter

Item	LA-150[L]	LA-200[L]	LA-150M[L]	LA-200M[L]
Optional accessories				
Chip conveyor & chip cart	◎	◎	◎	◎
Tool setter	◎	◎	◎	◎
Parts catcher	◎	◎	◎	◎
Parts conveyor	◎	◎	◎	◎
Barfeeder & Interface	◎	◎	◎	◎
Air blow	◎	◎	◎	◎
Automatic Power-off	◎	◎	◎	◎
Parts counter	◎	◎	◎	◎
Collet chuck	◎	◎	◎	◎
Oil mist collector	◎	◎	◎	◎
Water cooler	◎	◎	◎	◎

※ Specifications are subject to change without notice.



Parts catcher